

SINCE 1839

**BRINLY**

SINCE 1839

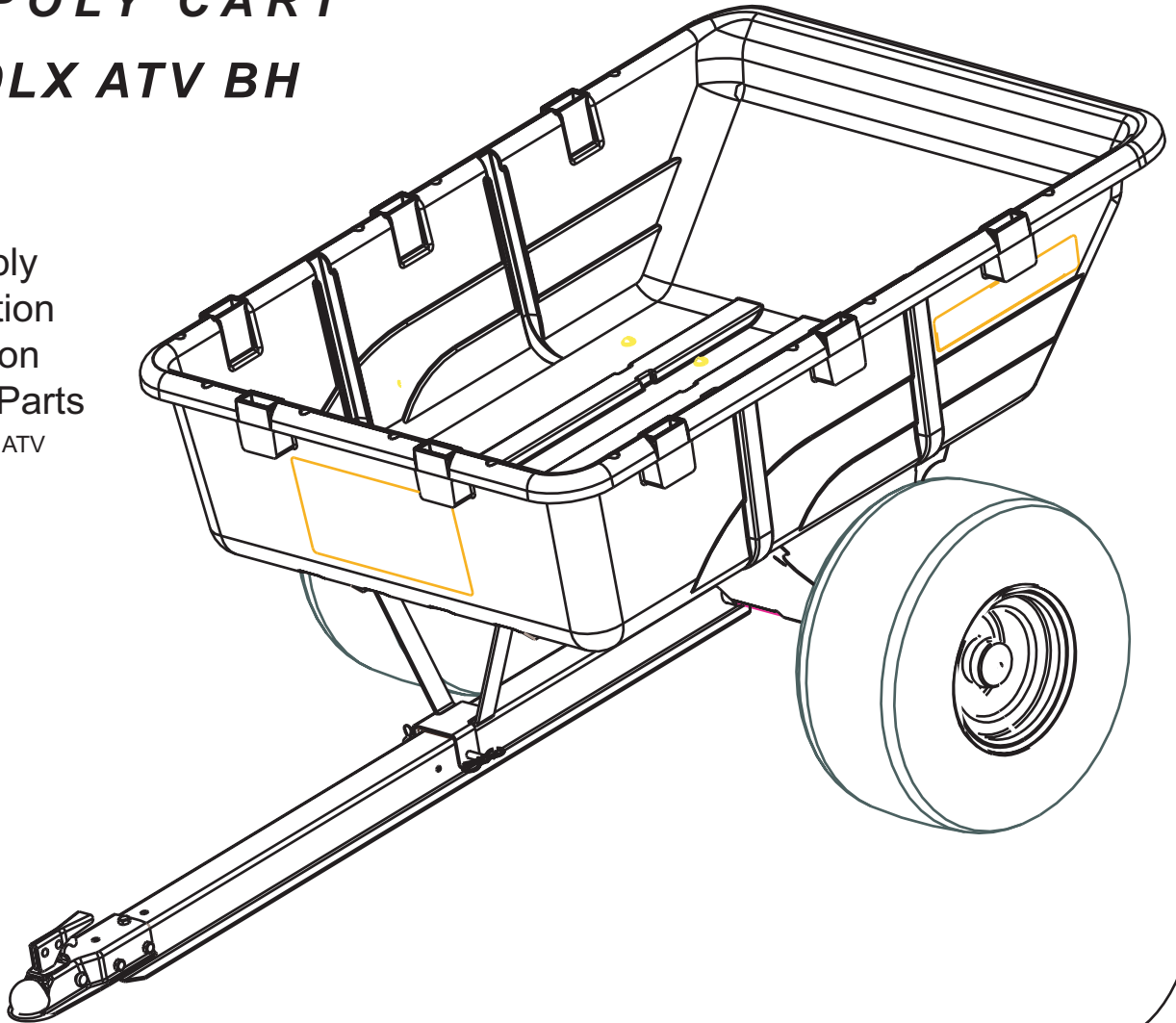
**BRINLY**

# OWNER'S MANUAL

## **ATV POLY CART** *MODEL:* **PCT-10LX ATV BH**

- Assembly
- Installation
- Operation
- Repair Parts

For use with ATV



For the latest product updates and setup tips:

Visit us on the web!  
[www.brinly.com](http://www.brinly.com)

Important: This manual contains information for the safety of persons and property. Read it carefully before assembly and operation of the equipment!

L-1739-BH.01

CONGRATULATIONS on your new Brinly-Hardy ATV Cart!  
Your Cart has been designed, engineered and manufactured to give you the best possible dependability and performance.

Should you experience any problem you can not easily remedy, please do not hesitate to contact our knowledgeable customer service department toll-free at 1-877-728-8224. We have competent, well trained technicians to help you.

Please read and retain this manual. The instructions will enable you to assemble and maintain your cart properly. And please, always observe the "Safety Rules".

**CUSTOMER RESPONSIBILITIES** \_\_\_\_\_  
Read and Observe the "Safety Rules".

Follow a regular schedule in maintaining, caring-for and using your Brinly-Hardy ATV Cart.

**TABLE OF CONTENTS** \_\_\_\_\_

SAFETY RULES .....	2
REFERENCE.....	3
PARTS REFERENCE .....	4
EXPLODED REFERENCE.....	5
ASSEMBLY .....	6-8
MAINTENANCE.....	9
OPERATION.....	9
PRODUCTS.....	11
WARRANTY.....	11

**RULES FOR SAFE OPERATION** \_\_\_\_\_

- Know controls and how to stop safely, READ THE ATV OWNER'S MANUAL before operating.
- Do not allow children to operate the vehicle, do not allow adults to operate without proper instruction or without having read the owner's manual.
- Do not carry passengers. Keep children and pets a safe distance away.
- Always wear substantial footwear. Do not wear loose fitting clothing that can get caught in moving parts.
- Keep your eyes and mind on your ATV and attachment. Do not let other interests distract you.
- Stay alert for holes in the terrain and other hidden hazards.
- Do not drive close to creeks, ditches and public highways.
- Watch out for traffic when crossing or near roadways.
- When using any attachment, don't allow anyone near the vehicle while in operation.
- Keep the vehicle and attachment in good operating condition and keep safety devices in place.

- Keep all nuts, bolts and screws tight to be sure the equipment is in safe working condition.
- The vehicle and attachment should be stopped and inspected for damage after striking a foreign object. The damage should be repaired before restarting and operating the equipment.
- The weight of the ATV and operator MUST BE MORE than the weight of the cart and load.
- When backing - carefully back straight to avoid jack knifing, which could result in damage to equipment.



- Maximum load is 700 lbs.



- Maximum speed - 20 mph.



- Maintain cart tires inflated to 10 psi.

- Use only approved hitches. A 1-7/8" Ball is required for this attachment.

- This attachment is intended for lawn care and other off road use. Do not tow behind a vehicle on a highway.

- Avoid tipping and skidding.

- Avoid holes, rocks and roots.

- Slow down before you turn.

- DO NOT make a sharp turns that cause ATV tires to rub cart drawbar.

- DO NOT tow cart with bed raised.

**KEEP RIDERS OFF CART** \_\_\_\_\_

- Keep riders out of cart.
- Riders in cart are subject to injury, such as being struck by objects and being thrown off the cart during sudden starts, stops and turns.
- Riders obstruct the operator's view, resulting in the cart being used in an unsafe manner.



This symbol will help to point out important safety precautions throughout this manual. It means - ATTENTION! BECOME ALERT! Your safety is involved.

**REFERENCE**

**Tools Required for Assembly:**

- \* 1/2" wrench (1)
- \* 9/16" wrench (2)
- \* Flat Head Screwdriver

**NOTES:**

**Parts Reference** \_\_\_\_\_

**Parts List** \_\_\_\_\_

REF. NO.	PART NO.	DESCRIPTION	QTY.
1	B-6611	Hitch Coupler, 1-7/8"	1
2	B-6617-10	Axle Support	1
3	B-6632-10	Bed Bracket	1
4	B-6613-1	Axle	1
5	B-6604-SB2	Wheel Assembly	2
6	B-6712	Poly Bed	1
7	B-6609-10	Towbar	1
8	M66382-A	Pad, 60 Duro-Neop	1
9	B-6614	Pin/ Lanyard Assembly	1
10	B-6619-10	Angle, Reinforcement	2
11	B-6680	Cotter, Bow tie	1
12	20M1016P	5/16" x 1" RD HD Mach. Screw	10
13	30M1000P	5/16"-18 Reg Hex Nut	10
14	40M1000P	5/16" Med Lock Washer	10
15	45M1111P	5/16" SAE Flat Washer	10
16	B-6679	Decal-Caution	1
17	B-6706-01	Thick, Washer	2
18	B-6707	Screw, Flange Head 5/16" x 1-1/8"	2
19	V-886	1" Mach. Bushing	2
20	2M1212P	Hex Bolt, 3/8" x 3/4"	5
21	30M1200P	3/8" Reg Hex Nut	5
22	40M1200P	Lock, Washer 3/8"	5
23	45M1313P	Flat, Washer 3/8"	4
24	B-6676-01	Spacers, Wheel	2
25	B-6683	Decal, Warning	1

To Order Parts Call:  
877-728-8224

Visit us on the web:  
[www.brinly.com](http://www.brinly.com)



**EXPLODED REFERENCE**

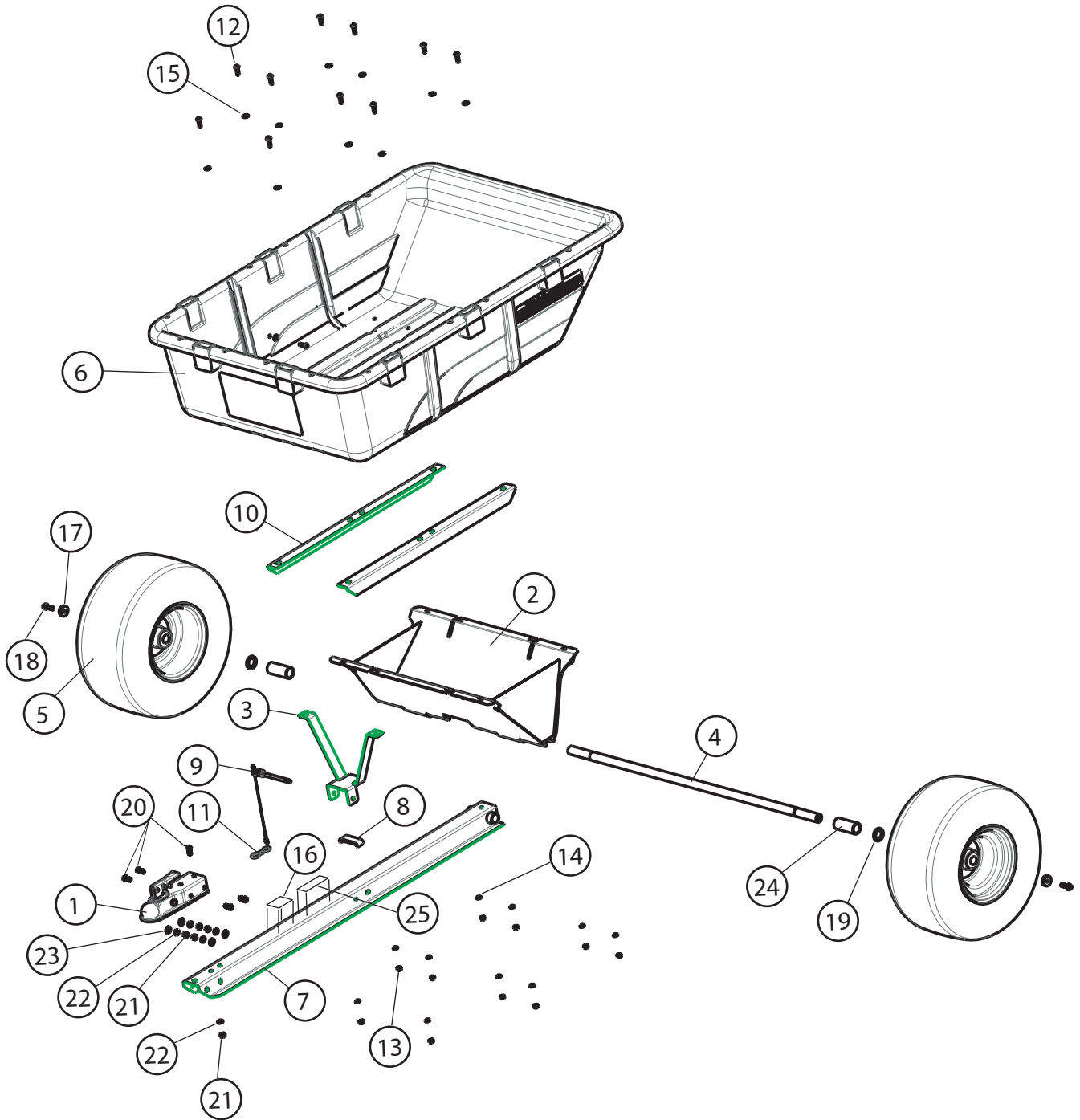


Figure 1.

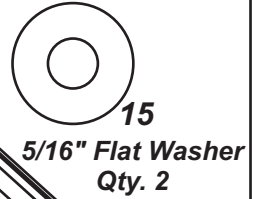
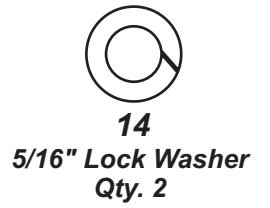
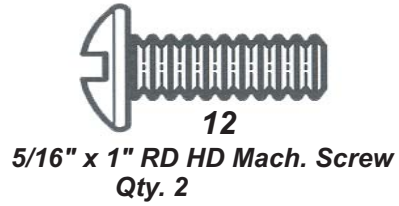
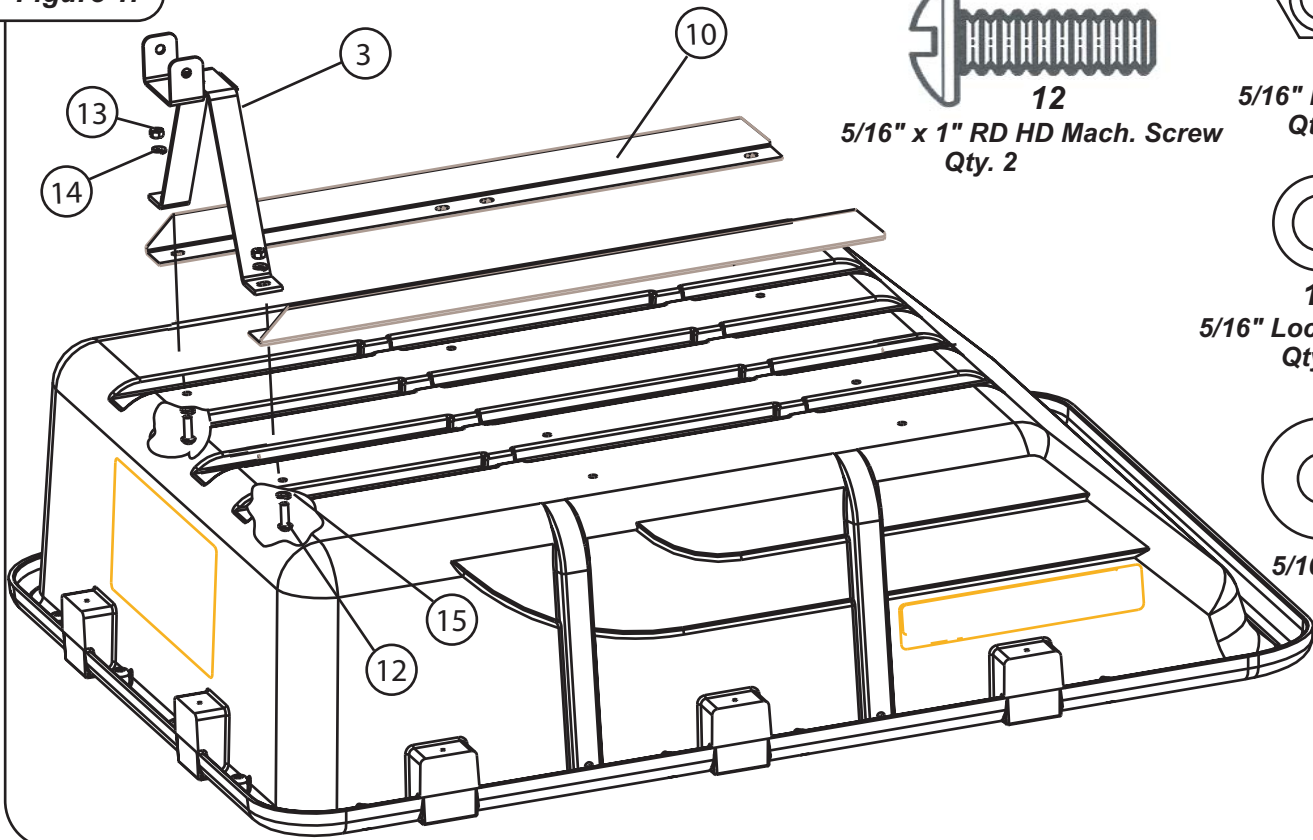


Figure 2.

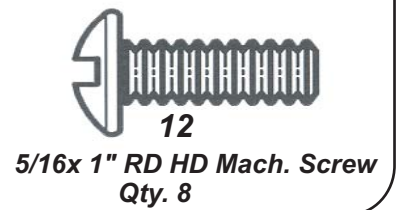
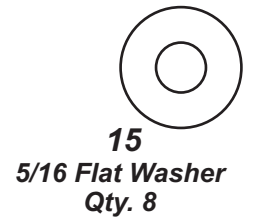
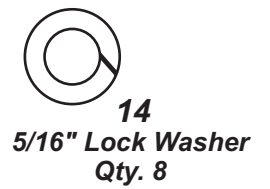
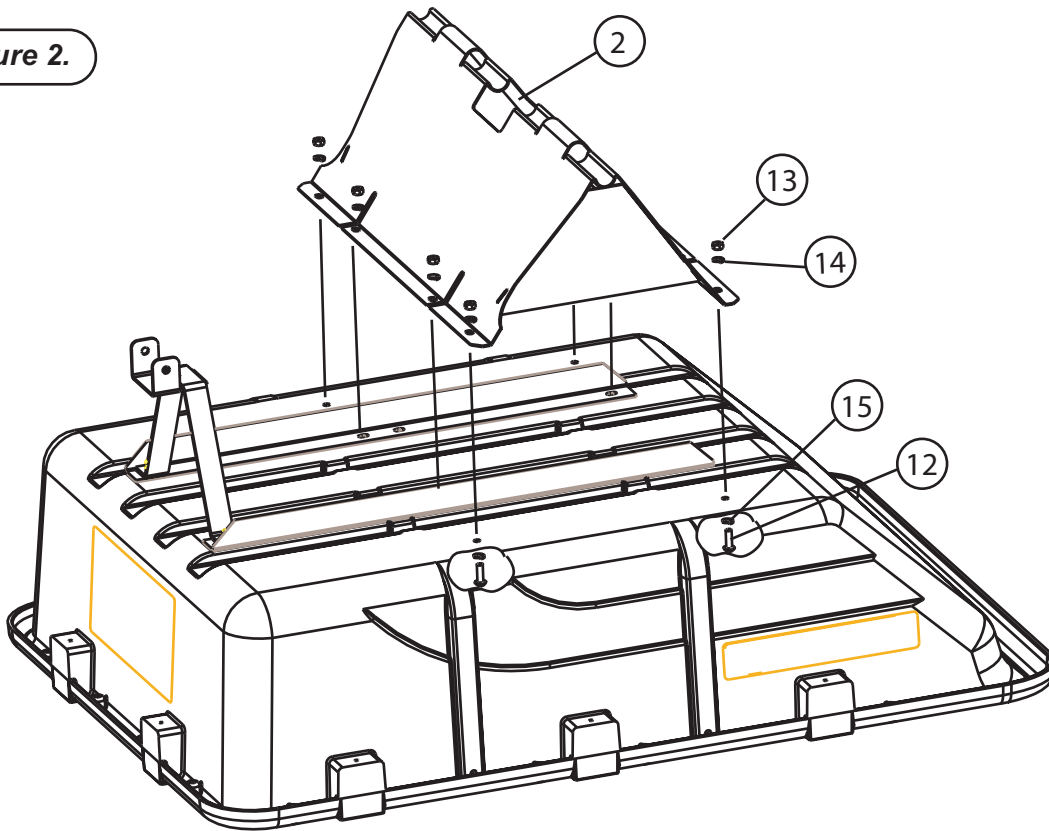


Figure 3.

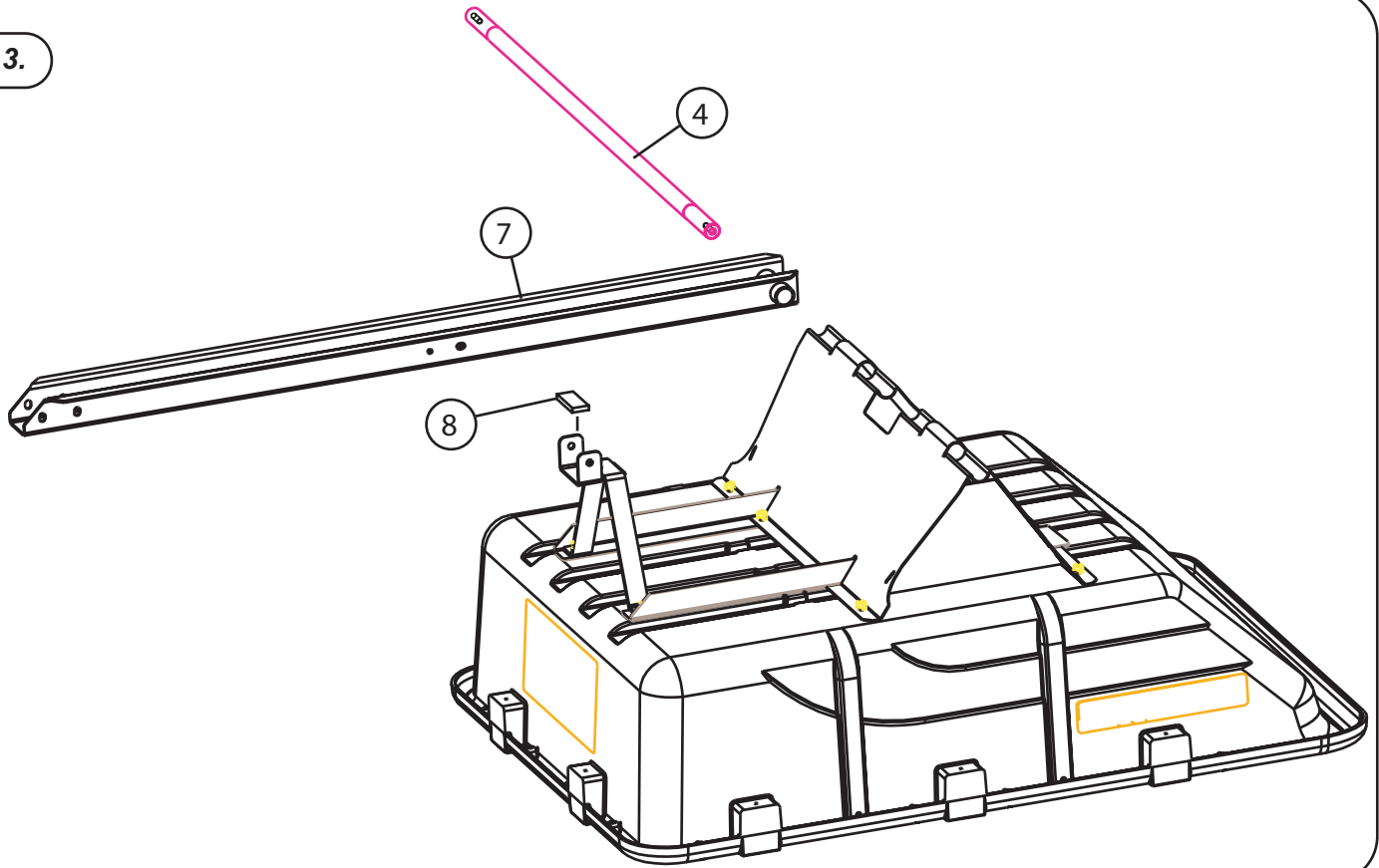


Figure 4.

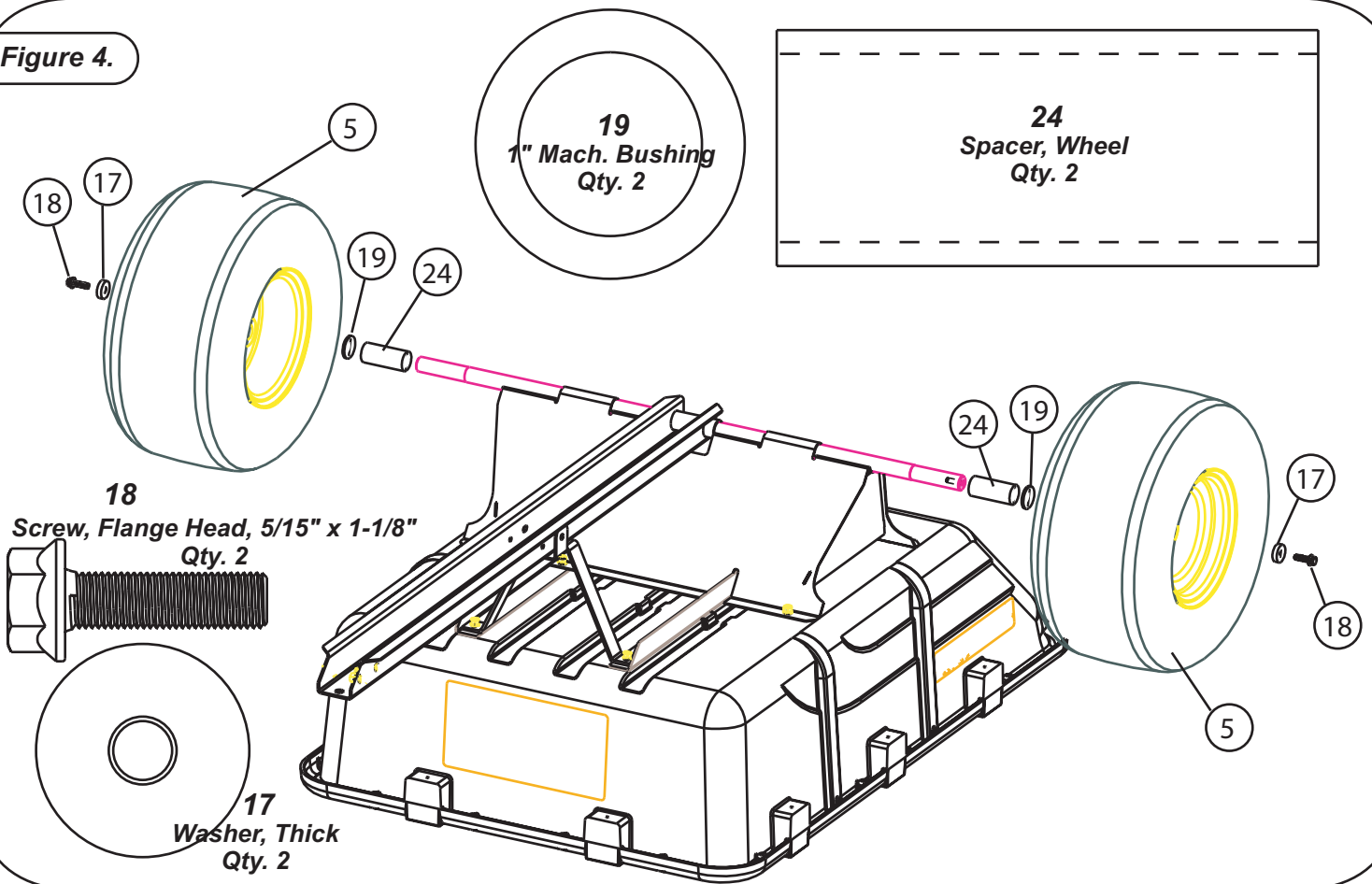
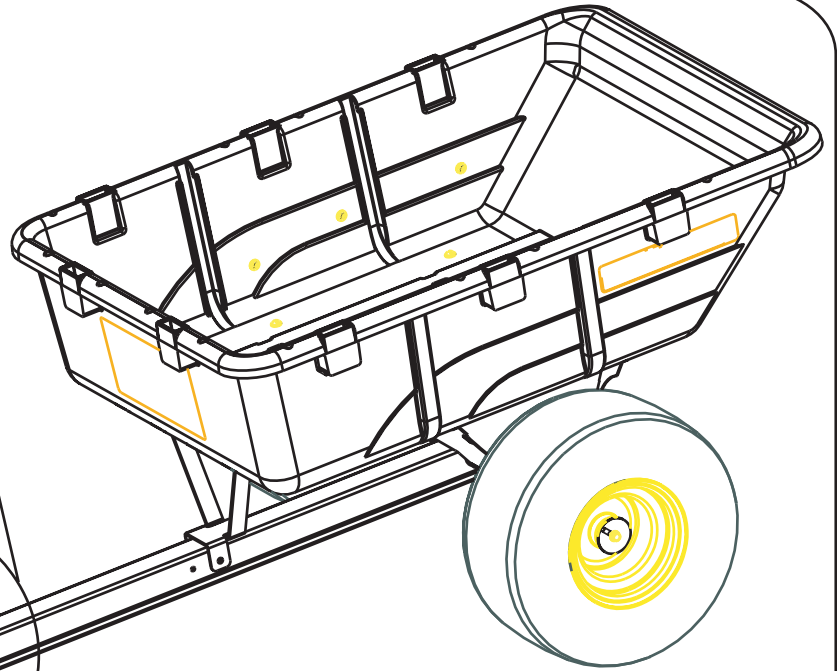
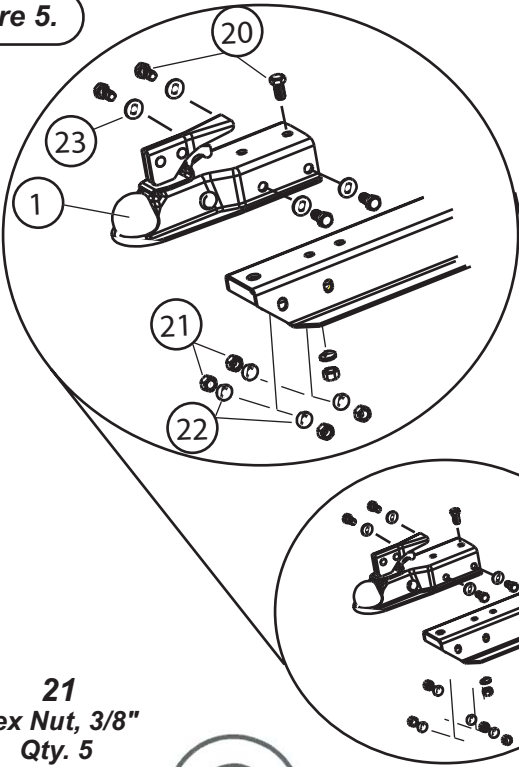




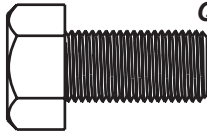
Figure 5.



21  
Hex Nut, 3/8"  
Qty. 5



22  
Lock, Washer 3/8"  
Qty. 5

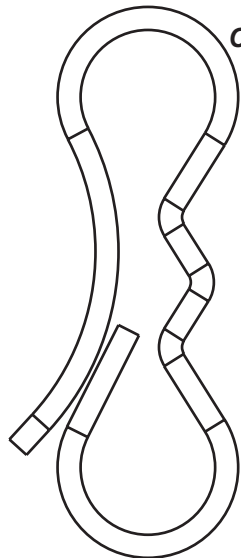


20  
Hex Bolt, 3/8" x 3/4"  
Qty. 5

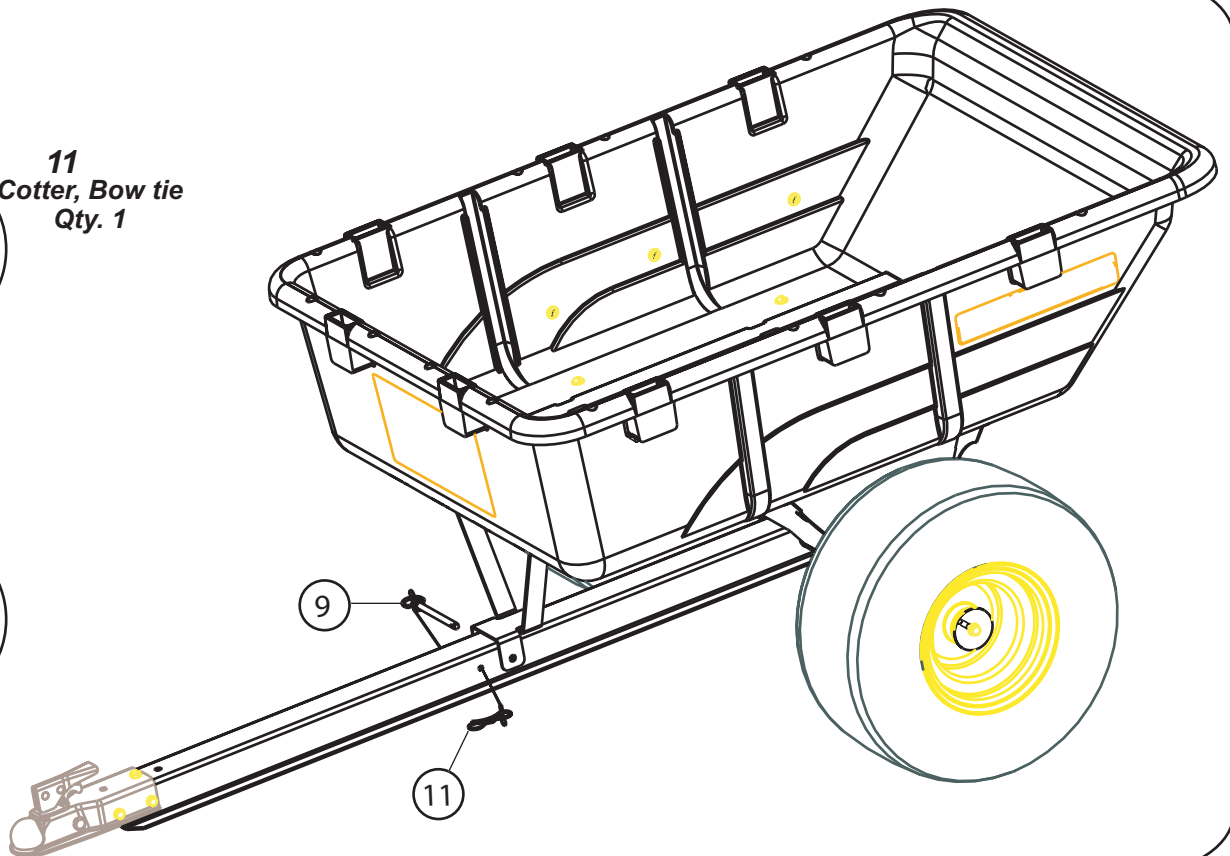
23  
Flat, Washer 3/8"  
Qty. 4



Figure 6.



11  
Cotter, Bow tie  
Qty. 1







## MAINTENANCE \_\_\_\_\_

Lubricate each wheel with multi-purpose grease and after 5 hours of use..

The key to years of trouble-free service is to keep your Cart clean and dry.

Unauthorized modifications to the cart may impair its function and safety.

Occasionally check all moving parts for free movement and, if necessary, lubricate with oil.

Should rust develop, sand lightly and then paint area with enamel.

Periodically check all fasteners for tightness.



## OPERATION: \_\_\_\_\_

Avoid over filling Cart, it can cause ATV to lose traction and skid. The ATV and operator combined weight **MUST BE** more than loaded cart weight for **PROPER** towing and braking.

Extremely heavy loads will be difficult to dump. Fill to capacity that is comfortable for you to dump.

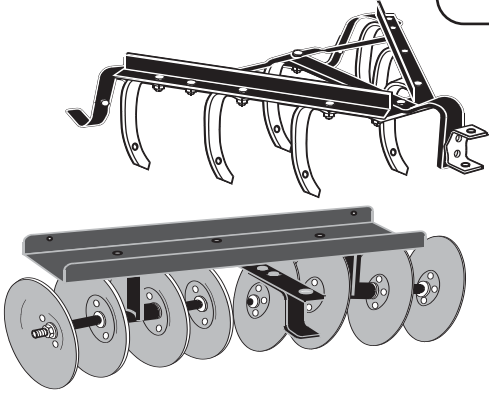
When backing up, carefully back **STRAIGHT** to avoid "jack-knifing", which can cause damage to your equipment.

To Dump load:

1. Stop the ATV, lock the parking brake and stop the engine.
2. Pull out the Pin/Lanyard from towbar and then raise the bed carefully to tilt the bed to the full dump position.

**NOTES:**

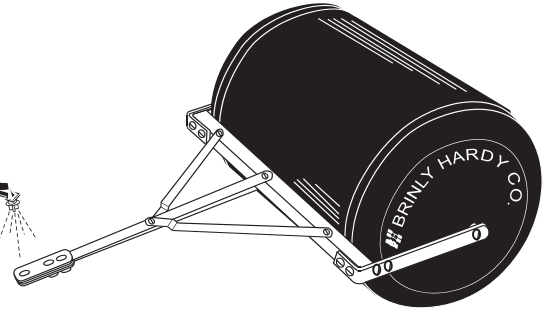
Caring for the quality of your lawn  
with the products from  
**Brinly-Hardy Company**



Brinly's garden tractor items offer the largest selection to turn your garden tractor into a year-round tool. We have box scrapers, blades, cultivators, disk harrows, and even a plow! Remember that a sleeve hitch is required to hook up these items to your garden tractor.



Brinly sprayers are designed to be easy to use, extremely accurate, and long lasting. Our in-line mounted tank design means that even the biggest tank is easy to maneuver and can fit through a garden gate. Each unit comes with a tractor-mounted on/off control.



No more rust or dents with these poly lawn rollers. These units are much easier to deal with than the steel versions. They have rounded end caps that won't tear or gouge the lawn when turning. Erase the harmful effects of front heaving and moles, or pack down newly sewn seed or sod.

**Limited Warranty**

Brinly-Hardy Company warrants only to the original retail purchaser that this product will remain free of defects in workmanship and materials under normal use and service for a period of two (2) years (NOTE: ninety (90) days for commercial or rental use) commencing with the date of purchase.

Any parts found to be defective within the warranty period will be replaced, with proof of date of purchase, at Brinly-Hardy Company's expense. Our obligation under this warranty is expressly limited to replacement or repair, at our option of parts, which are defective in material or workmanship within thirty (30) days of receipt of the parts. This warranty does not apply to damage caused by unreasonable use, including failure to provide necessary maintenance, nor does it apply to any transportation or labor charges.

WE MAKE NO OTHER EXPRESS WARRANTY NOR IS ANYONE AUTHORIZED TO MAKE ANY ON OUR BEHALF. ANY IMPLIED OR STATUTORY WARRANTIES, INCLUDING ANY WARRANTY OF MERCHANTABILITY OR FITNESS FOR A PARTICULAR PURPOSE, ARE LIMITED TO THE DURATION OF THIS WRITTEN WARRANTY. WE SHALL NOT BE LIABLE FOR CONSEQUENTIAL OR INCIDENTAL DAMAGES OF ANY KIND.

MADE IN THE U.S.A.  
BRINLY-HARDY COMPANY TOLL-FREE 1-877-728-8224

Register Online at: [www.brinly.com](http://www.brinly.com)

**Quality Insurance**

Dear Customer,  
We are very proud of our quality and endeavor to produce each product to meet high standards. Should your purchase not meet your expectations, we have a Quality Insurance Policy.

If you purchase a product and a part is missing or defective, please inform us of the problem on the "Comments" section of the Warranty Registration Card in this manual or online, or feel free to contact us toll free at 1-877-728-8224. PLEASE DO NOT RETURN THE PRODUCT TO THE STORE!

We will make every effort to ship a new replacement part to you within 24 hours at no charge.

Thank you,

Jane Hardy  
President,  
Brinly-Hardy Company

**WARRANTY REGISTRATION CARD**

To register your new product for warranty, please complete and return this card.

Name: \_\_\_\_\_

Address: \_\_\_\_\_

City: \_\_\_\_\_ State: \_\_\_\_\_ Zip: \_\_\_\_\_

Phone: \_\_\_\_\_

Product Purchased: \_\_\_\_\_ Model#: \_\_\_\_\_

Packing# (on carton): \_\_\_\_\_

Where purchased: \_\_\_\_\_ Date: \_\_\_\_\_

Type of ATV Owned: \_\_\_\_\_ Make: \_\_\_\_\_

Model: \_\_\_\_\_

Engine CC: \_\_\_\_\_

Size of Lawn: \_\_\_ 1/4-1/2 acre \_\_\_ 1/2-1 acre \_\_\_ 1-5 acre \_\_\_ 5+

Do you garden? \_\_\_\_\_ Use a tractor? \_\_\_\_\_ Tiller? \_\_\_\_\_

Your Occupation? \_\_\_\_\_

Your Email Address? \_\_\_\_\_

Comments: \_\_\_\_\_